

Saf-T-Lite Shielded Lead Glass

Saf-T-Lite Radiation Protector Glass — a laminated, safety, radiation shielding lead glass - the best protection you can buy for your medical testing and diagnostic facility installations.

Reasons for Using Saf-T-Lite Radiation Protector Glass

- Safety - Shatter Resistant Glass Meet Requirements of ANSI Z97.1-1984 & 16 CFR 1201 Cat.II
- Safety - 1.6 mm Lead Equivalency in all Shields
- Superb Visual Clarity
- Opaque Panels in a variety of Colors
- Available in any Size

Better than Acrylic/Plastic

- Much lighter than acrylic/plastic screens
- Transmits more light than acrylic/plastic
- Will not discolor due to ultraviolet rays as will acrylic/plastic
- Greater resistance to scratching than acrylic plastic.

Saf-T-Lite Radiation Protector products consist of LX-57B Lead Glass, Interlayer and Float Glass in a laminated sandwich. Required thickness of material types to achieve 1.6 mm Pb at 150kV are shown below.

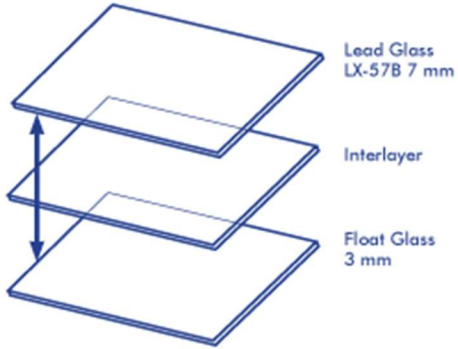
Saf-T-Lite Radiation Protector Glass		Lead Acrylic Sheets
Light Transmission (1.6 mm Lead Equiv @ 150kV)	87.8%	63.5%
Thickness (1.6 mm Lead Equiv @ 150kV)	11mm	35mm
Weight	8 lbs. per sq. ft.	11 lbs. per sq. ft.



Saf –T- Lite Radiation Protector Portable Shields					
Model	100	101	102	110	111
Overall Size (w x h)	39" x 78"	39" x 78"	51" x 78"	63" x 78"	75" x 78"
Window Size (w x h)	36" x 48"	36" x 68"	48" x 48"	60" x 48"	72" x 48"
Opaque Panel (w x h)	36" x 26"	36" x 6"	48" x 26"	60" x 26"	72" x 26"
Lead Equivalency	1.6mm 1/16"	1.6mm 1/16"	1.6mm 1/16"	1.6mm 1/16"	1.6mm 1/16"

Saf - T Lite Radiation Protector Fixed Shields						
Model	200	201	202	210	211	212
Overall Size (w x h)	39" x 84"	51" x 84"	63" x 84"	75" x 84"	87" x 84"	99" x 84"
Window Size (w x h)	36" x 48"	48" x 48"	60" x 48"	72" x 48"	84" x 48"	96" x 48"
Opaque Panel (w x h)	36" x 32"	48" x 32"	60" x 32"	72" x 32"	84" x 32"	96" x 32"
Lead Equivalency	1.6mm 1/16"	1.6mm 1/16"	1.6mm 1/16"	1.6mm 1/16"	1.6mm 1/16"	1.6mm 1/16"

Saf-T-Lite Radiation Protector™ Glass



**Saf-T-Lite Radiation Protector™
Glass for Viewing Windows
Where Safety is a Requirement.**

