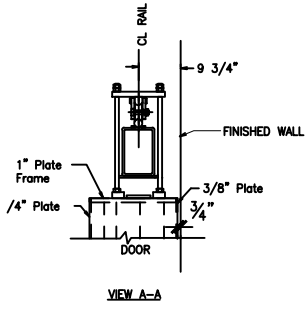
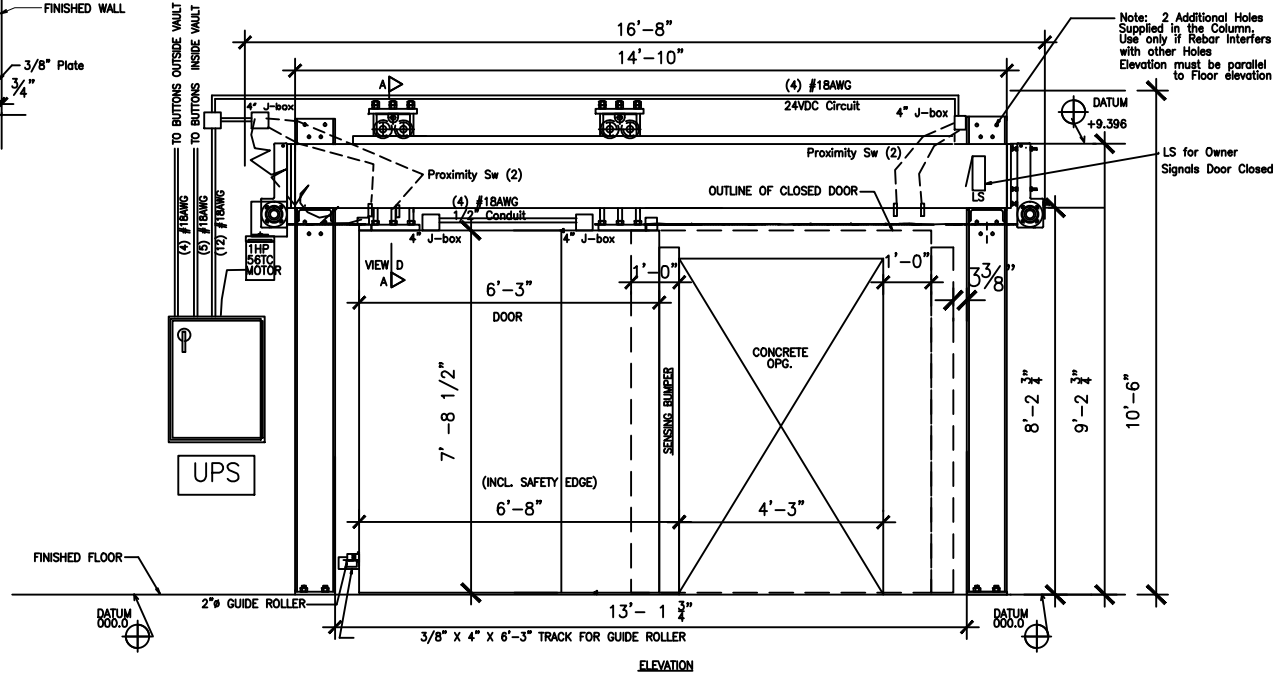


PLAN

1. POWER FAILURE- A battery powered UPS will provide power to open door on power failure. In case of malfunction in battery operation the door may be operated manually. A Crank operated Winch is provided for manual opening of the door.
2. DOOR OBSTRUCTED- If the door is Closing when an obstruction occurs the door will Stop then reverse and Open.
3. Fused 120VAC 60Hz Single Phase 20Amp Service required.
4. Contractor to furnish and install all conduit and wiring



VIEW A-A



ELEVATION

- NOTES:
- 1: THIS DRAWING MUST BE APPROVED BY THE PHYSICIST OF RECORD
  - 2: SHIELDING MUST BE VERIFIED BY THE PHYSICIST OF RECORD
  - 3: PITTS LITTLE CORPORATION WILL BUILD THE DOOR TO THIS APPROVED DRAWING
  - 4: PITTS LITTLE CORPORATION IS NOT RESPONSIBLE FOR THE CONCRETE WALL
  - 5: THE CONCRETE WALL AROUND THE DOOR MUST BE SMOOTH, LEVEL AND PLUMB IN ALL DIRECTIONS
  - 6: THE FLOOR AREA AROUND THE DOOR MUST BE LEVEL
  - 7: STRUCTURAL ENGINEERING IS BY OTHERS
  - 8: THE PHYSICIST / CONTRACTOR IS TO CERTIFY THAT THE SITE IS READY FOR INSTALLATION OF THE DOOR

	2711 ALTON ROAD Birmingham, AL 35210 Phone: 205-833-5911 Fax: 205-833-5912	
	DRAWN BY:	SCALE:
APPROVED BY:	DATE:	
Name - Project Number		
City, State		SH2

NOTE: PHYSICIST OF RECORD AND STRUCTURAL ENGINEER SHALL REVIEW DRAWING PRIOR TO PROCEEDING WITH THE WORK.