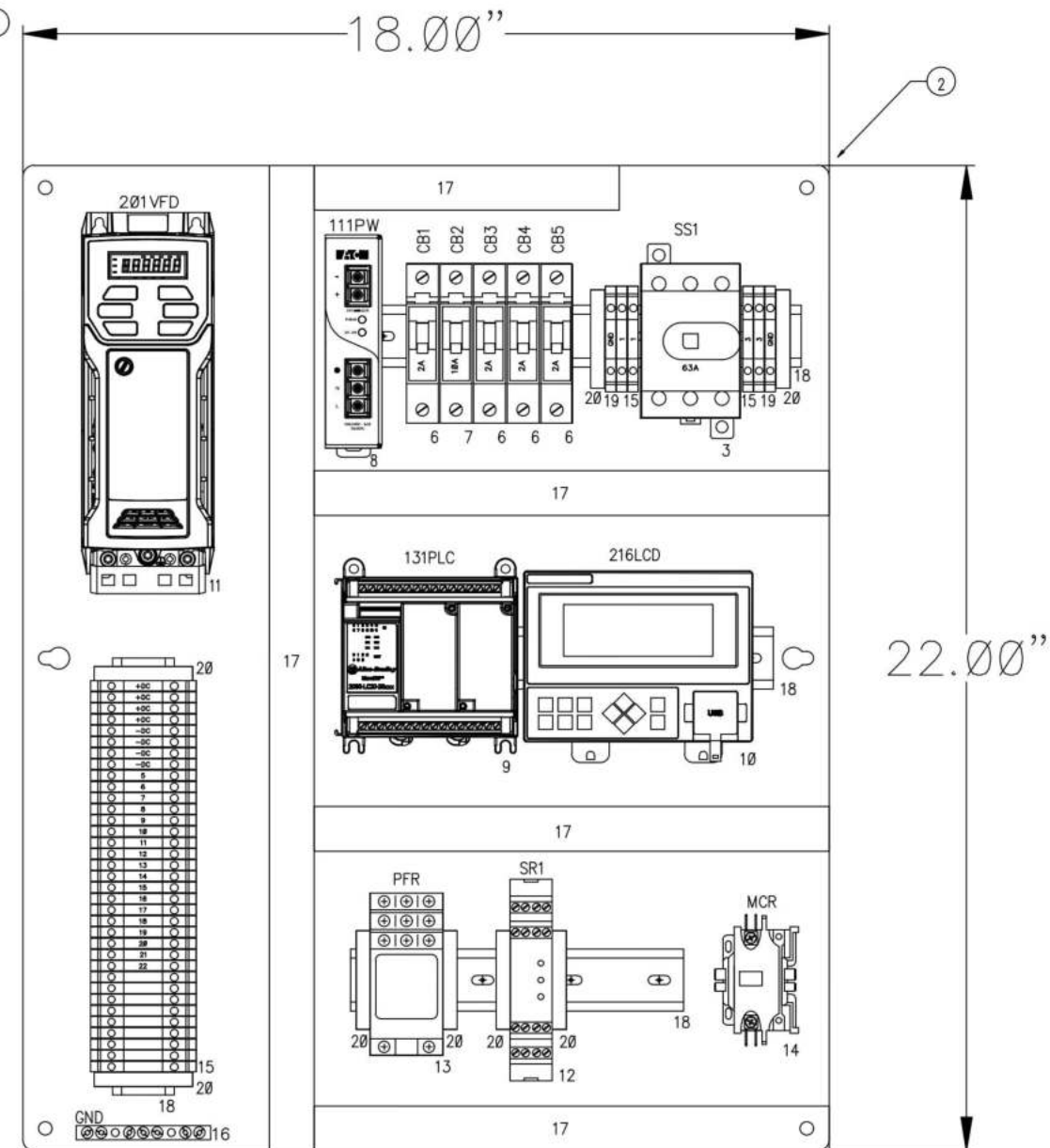


CONTROL PANEL UL508A LABELED



NO.	REVISION	DATE
1	RECORD DRAWING	7/7/23
A	FOR CONSTRUCTION	4/12/23

CUSTOMER:

PROJECT:
DOOR OPERATOR
PANEL 10600

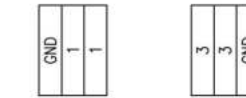
JOB NO. 230157A	DATE: 4/12/23
DRAWN BY: JHM	SCALE:
CHECKED BY:	SHEET NO. 1/4
DRAWING NO. 230157A01	

BILL OF MATERIAL

ITEM	QTY	MFG	CATALOG	DESCRIPTION
1	1	SCE	SCE 24N2008LP	ENCLOSURE, 24"H X 20"W X 8"D, SINGEL DOOR, NEMA 1
2	1	SCE	SCE 24N20MP	SUBPANEL FOR NEMA 1 ENCLOSURE, 22"H X 18"W
3	1	ABB	OT63F3/B	DISCONNECT SWITCH, 63A, 600V, 3P
4	1	ABB	OHB65J6	HANDLE, PISTOL GRIP
5	1	ABB	OSP6X430	SHAFT, 430MM LENGTH
6	4	EATON	FAZ-C2/1-SP	CIRCUIT BREAKER 1 POLE, 2A, C CURVE
7	1	EATON	FAZ-C10/1-SP	CIRCUIT BREAKER 1 POLE, 10A, C CURVE
8	1	EATON	PSG60E	POWER SUPPLY, 120/240VAC - 24VDC, 2.5A
9	1	ALLEN BRADLEY	2080-LC20-20QWB	MICRO 820 PLC, 24VDC POWERED, 12 24VDC INPUTS, 7 RELAY OUTPYTS
10	1	ALLEN BRADLEY	2080-REMLCD	MICRO 820 REMOTE LCD SCREEN
11	1	CONTROL TECHNIQUES	C200-021 00056A	VFD, 1.5HP, 115V 1P IN, 230V 3P OUT
12	1	TAPESWITCH	PRSU/4	SAFETY INTERFACE CONTROLLER, 24VDC
13	1	FINDER	62.33.8.120.0050	CONTROL RELAY, 120V, 3PDT, IND LIGHT, 11 BLADE, 10A
	1	FINDER	92.03.0	RELAY BASE, 11 BLADE, DIN RAIL MOUNT
14	1	EATON	C25ANB130A	CONTACTOR, DEF PURPOSE, 1 POLE, 30A, 110-12V COIL
15	35	PHEONIX	3044102	STANDARD DESIGN TERMINAL BLOCK - WDU 4
16	1	SQUARE D	PK7GTA	GROUND BAR, 7 POSITION
17	A/N	THOMAS & BETTS	TY1X3NPB6	WIRE DUCT, THIN FINGER, BLACK, 1" X 3"
18	A/N	PHOENIX	0801733	STEEL DIN RAIL/SILVER; SLOTTED 35mm; 7.5mm
19	2	PHOENIX	3044128	TERMINAL BLOCK, GROUND, UT4-PE, 26-10AWG, 67.2MM, G-Y
20	11	PHOENIX	0800886	TERMINAL END CLAMP, E/NS35N, 9.5MM, GRAY
21	3	PHOENIX	3047028	UT4 TERMINAL END COVER

TERMINAL BLOCK LAYOUT

+DC
+DC
+DC
+DC
-DC
-DC
-DC
-DC
5
6
7
8
9
10
11
12
13
14
15
16
17
18
19
20
21
22
23
24



LOCATED BY INCOMING SWITCH

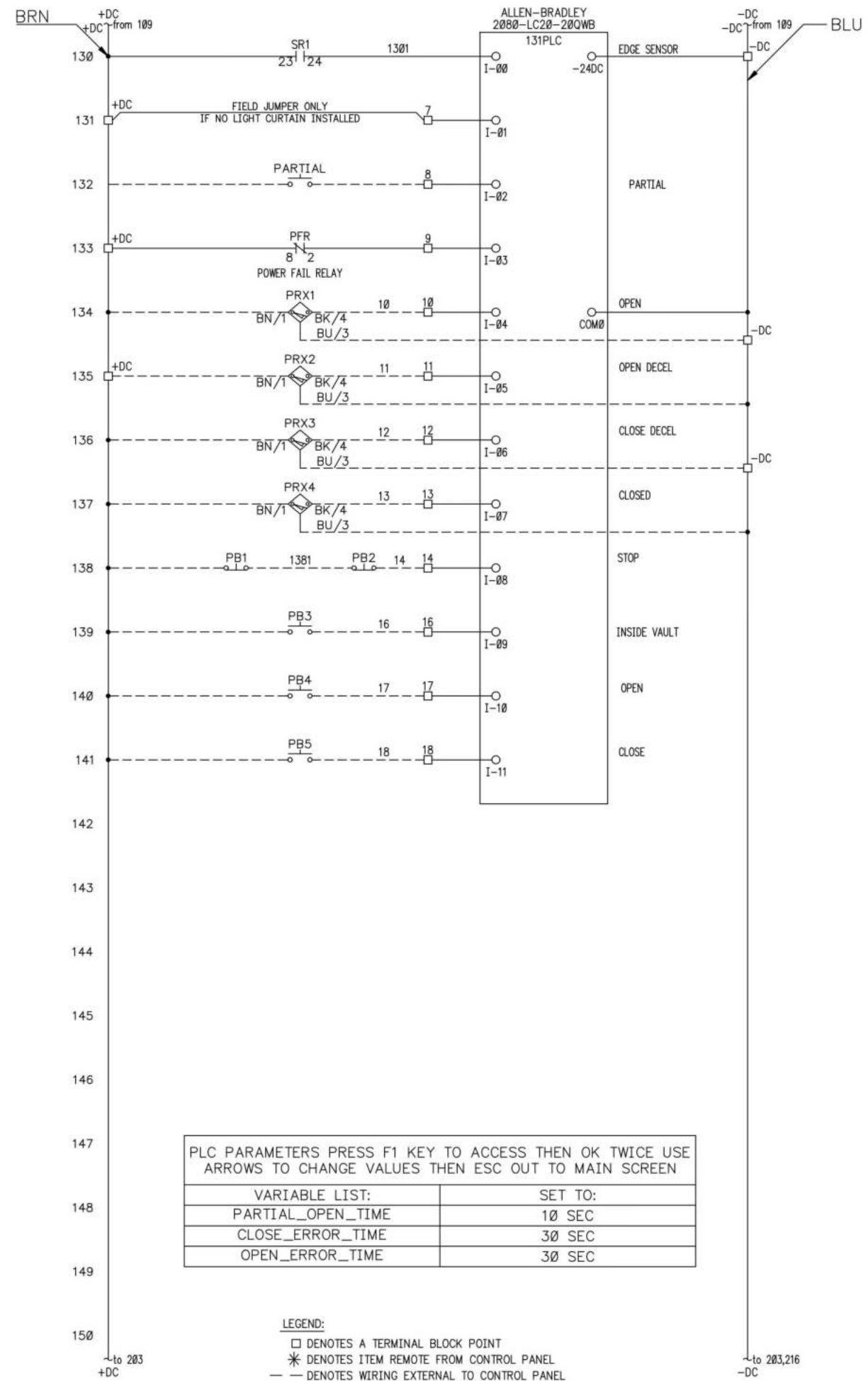
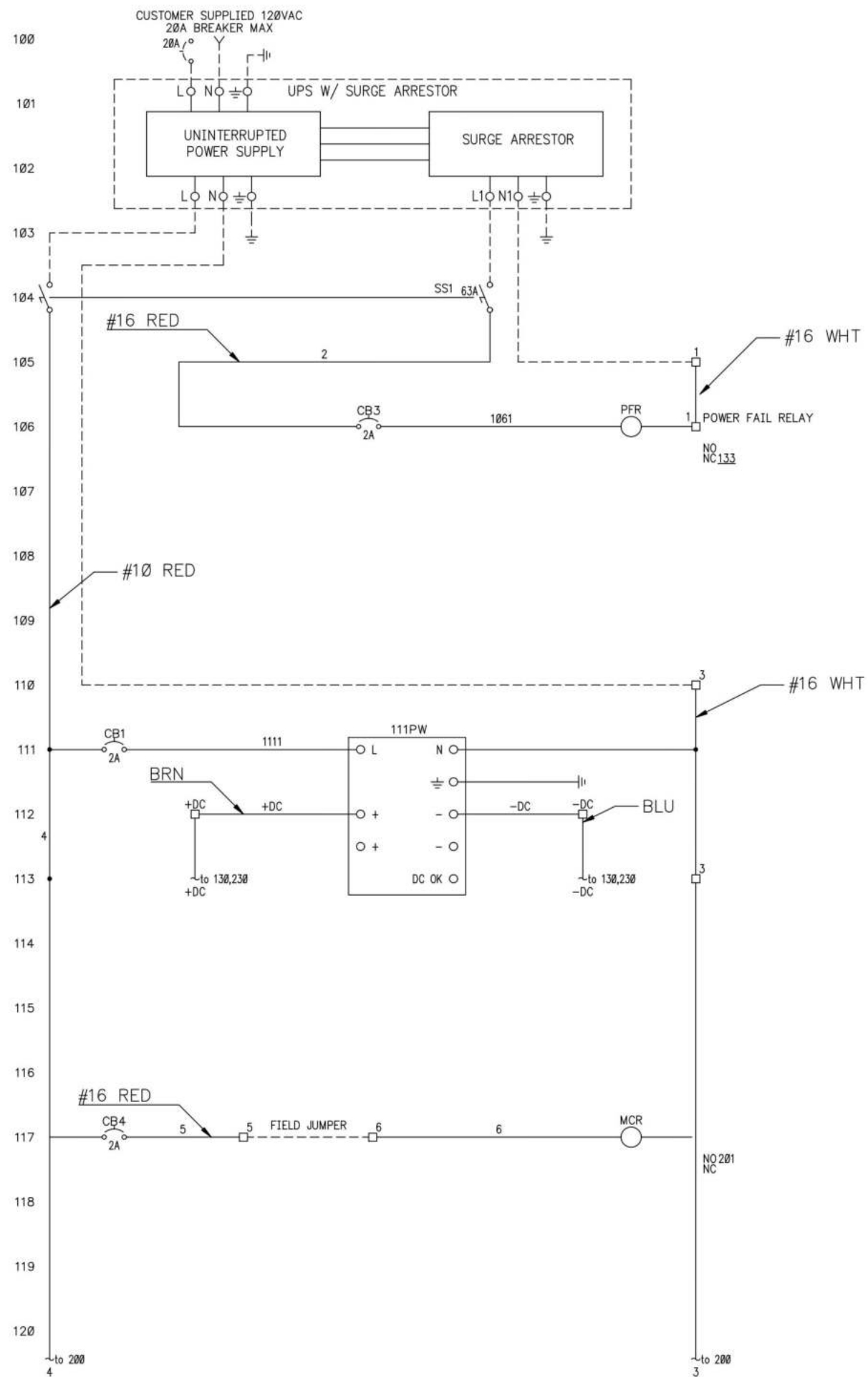


1	RECORD DRAWING	7/7/23
A	FOR CONSTRUCTION	4/12/23
NO.	REVISION	DATE

CUSTOMER:

PROJECT:
DOOR OPERATOR
PANEL 10600

JOB NO.	230157A	DATE:	4/12/23
DRAWN BY:	JHM	SCALE:	
CHECKED BY:		SHEET NO.	2 / 4
DRAWING NO.	230157A02		



PLC PARAMETERS PRESS F1 KEY TO ACCESS THEN OK TWICE USE ARROWS TO CHANGE VALUES THEN ESC OUT TO MAIN SCREEN

VARIABLE LIST:	SET TO:
PARTIAL_OPEN_TIME	10 SEC
CLOSE_ERROR_TIME	30 SEC
OPEN_ERROR_TIME	30 SEC

LEGEND:
 □ DENOTES A TERMINAL BLOCK POINT
 * DENOTES ITEM REMOTE FROM CONTROL PANEL
 - - DENOTES WIRING EXTERNAL TO CONTROL PANEL

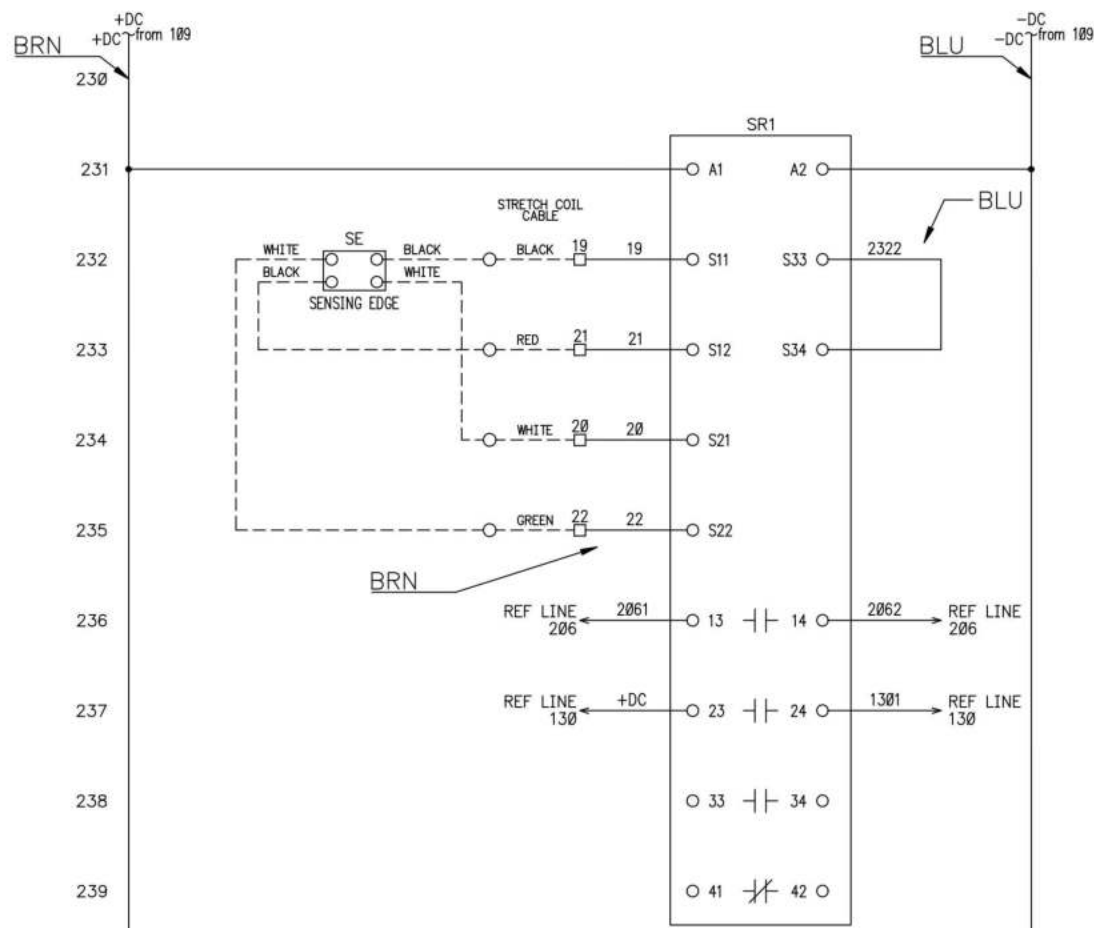
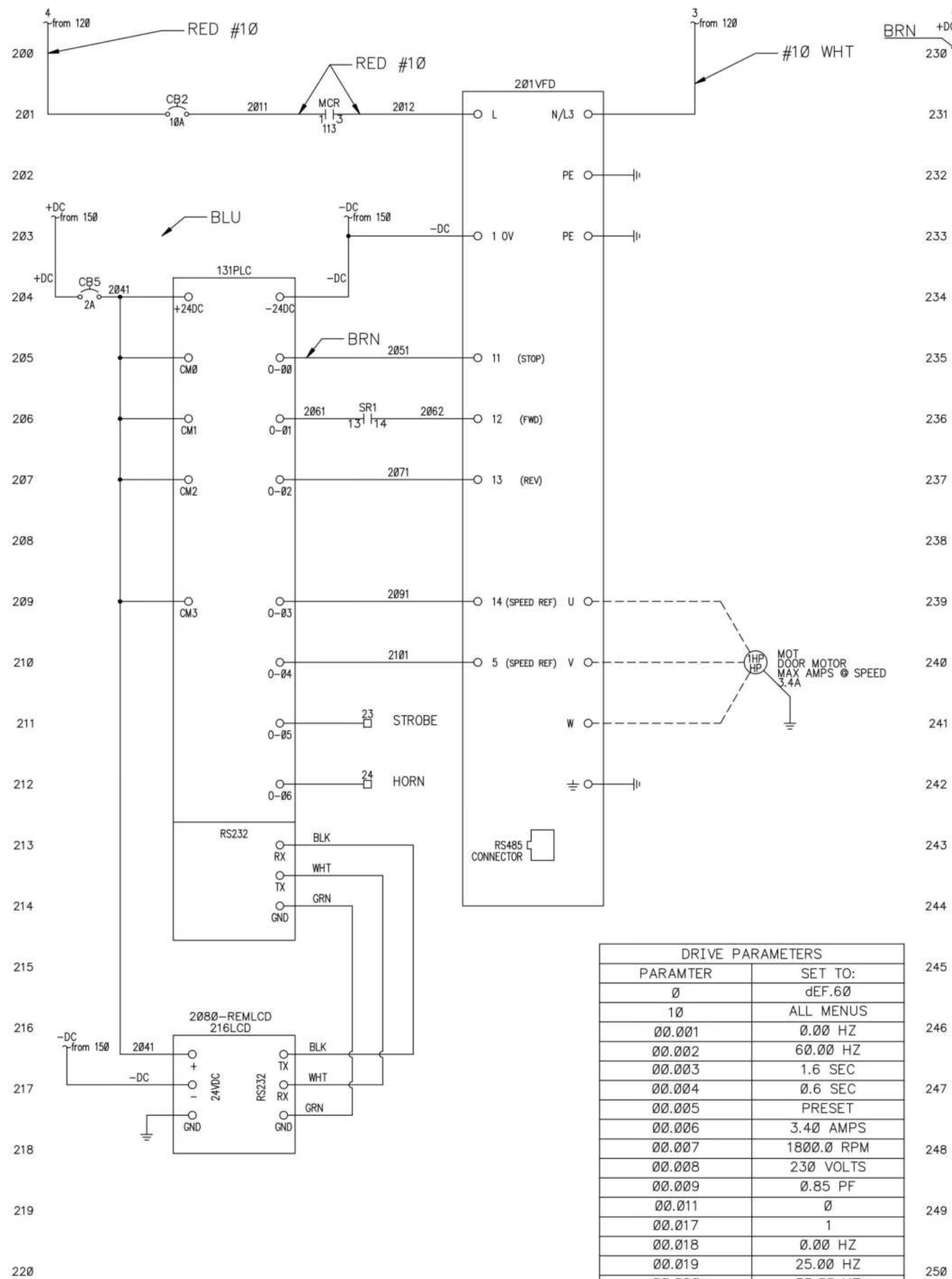


NO.	REVISION	DATE
1	RECORD DRAWING	7/7/23
A	FOR CONSTRUCTION	4/12/23

CUSTOMER:

PROJECT:
 DOOR OPERATOR
 PANEL 10600

JOB NO. 230157A	DATE: 4/12/23
DRAWN BY: JHM	SCALE:
CHECKED BY:	SHEET NO. 3/4
DRAWING NO. 230157A03	



LEGEND:
 □ DENOTES A TERMINAL BLOCK POINT
 * DENOTES ITEM REMOTE FROM CONTROL PANEL
 - - DENOTES WIRING EXTERNAL TO CONTROL PANEL



NO.	REVISION	DATE
1	RECORD DRAWING	7/7/23
A	FOR CONSTRUCTION	4/12/23

CUSTOMER:

PROJECT:
 DOOR OPERATOR
 PANEL 10600

JOB NO. 230157A	DATE: 4/12/23
DRAWN BY: JHM	SCALE:
CHECKED BY:	SHEET NO. 4 / 4
DRAWING NO. 230157A04	